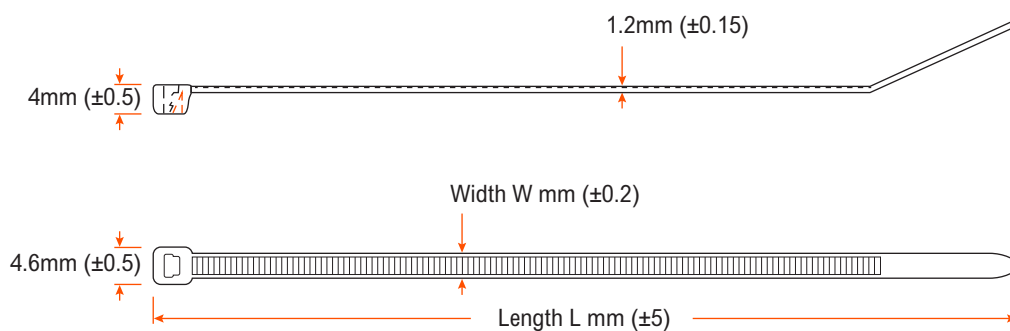
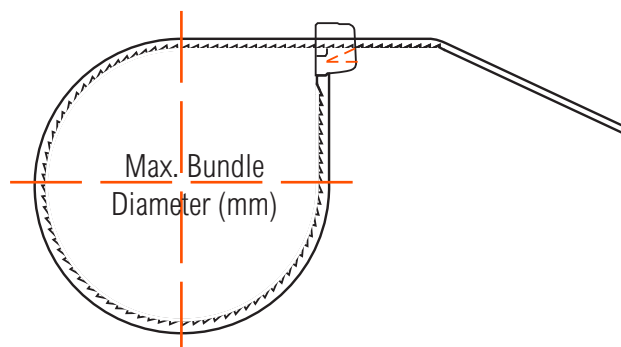
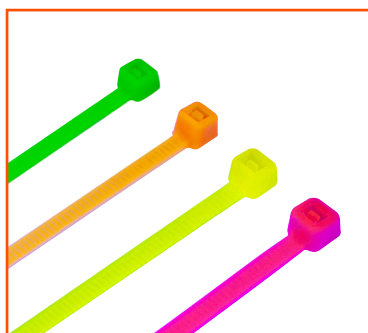


Cable Ties

Miniature Fluorescent



• Material:	UL approved Nylon 66, 94V-2. High tensile strength with low insertion force. Excellent resistance to weathering and ageing.
• Feature:	Suitable for a multitude of uses in various industries.
• Application:	Self-locking for fast and easy application.
• Operating Temperature:	-40°C to +85°C.



Item No.	Colour	Width W (mm)	Length L (mm)	Max. Bundle Diameter (mm)	Min. Tensile Strength (kg)
CT1-FLBLUE	Fluorescent Blue	2.5	100	22	8
CT1-FLGREEN	Fluorescent Green	2.5	100	22	8
CT1-FLORANGE	Fluorescent Orange	2.5	100	22	8
CT1-FLPINK	Fluorescent Pink	2.5	100	22	8
CT1-FLYELLOW	Fluorescent Yellow	2.5	100	22	8